

SPECIFIC SPRAY NOZZLE FOR BAG FILTER

SPECIFIC SPRAY NOZZLE FOR BAG FILTER

- Good effect of guide flow.
- Uniform and accurate size.
- Special tube structure and excellent blowing effect.
- Reasonable structure and small pressure loss.
- Easy installation and high cost effectiveness.



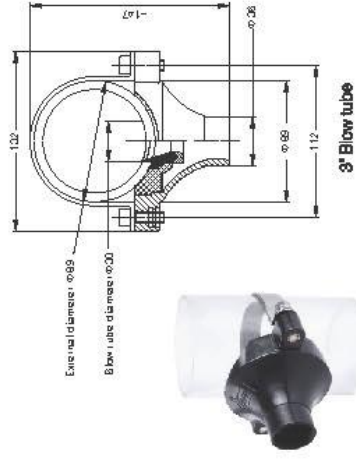
Type Definition

D Q P - A - XX
 25(Blow tube 1')
 40(Blow tube 1.5')
 78(Blow tube 3')

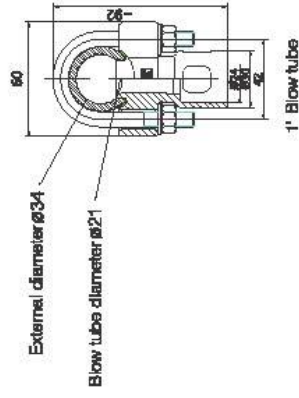
A series

Special spray nozzles for dust cleaning system

Installation Diagram



Outside Views (mm)



Sketch of Blowing of Spray Nozzle

