

DC24V/AC110V/AC220V

Coil

production

This product is to use the enameled wire winding on a hollow cylindrical skeleton, it's external surface is made by plastic injection molding through making a coil assembly. Coil rear plug is exposed, which can be connected to the junction box as requested, generating a magnetic force after power. Currently the coils are widely used in electromagnetic pulse valve industry.

Product type

DC/AC	24V/110V/220V	X
Current	voltage	note

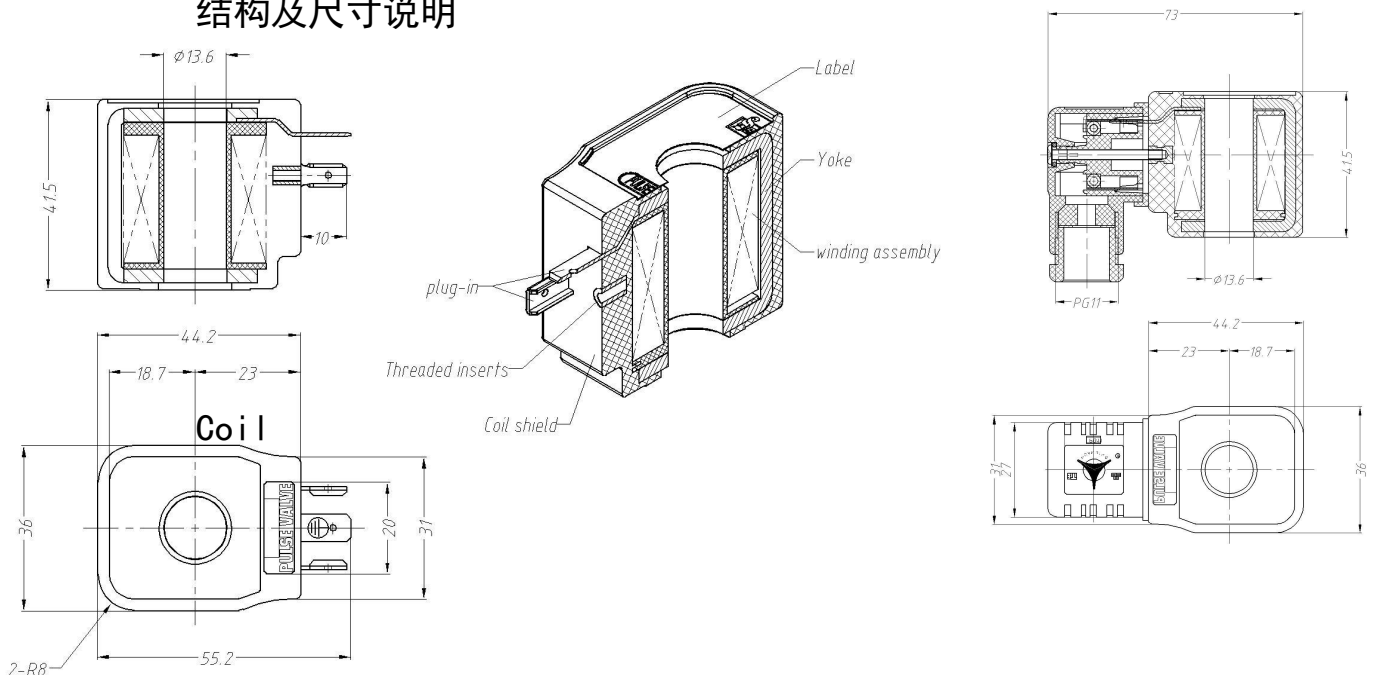
Performance parameters

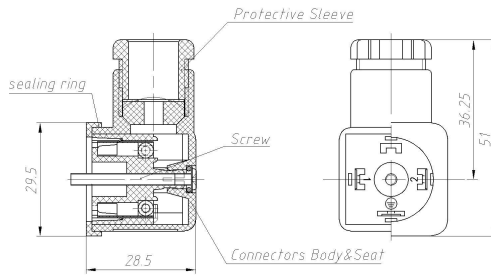
- Voltage : DC24V 、 AC110 V

	Inrush VA	Holding VA	Power consumption
DC24V	-	-	24W
AC110 V	28.6	13.2	6.6W
AC220V	28.6	13.2	6.6W

- working pressure: 0.2MPa~0.6MPa;
- Degree of protection: IP65;
- Temperature range: -10℃~50 ℃;
- Insulation: Insulation resistance coil housing $\geq 1M\Omega$; when the nominal input voltage $\leq 24V$, it can withstand AC500V, 50Hz voltage; and when nominal input voltage $> 24V$ and $\leq 220V$, it can withstand AC1500V, voltage of 50Hz;

结构及尺寸说明





Connectors

Materials Description

Coil shield	BMC
Yoke	DT4/H62
Winding	PPS/H62
Plug-in	H62
Threaded insert	H62
Protective sleeve	ABS
Connectors body & Seat	ABS
Screw	304
Sealing ring	NBR
Label	Quit stickers

Installation

The coil assembly shall comply with the electrical rules to ensure that the cable entries are properly sealed. Tighten the screw jack to the power center, a maximum of 0.6N · m. Outside Shell can not be deformed. Ensure that the terminal polarity sign + and - are correct. If there is no notes, then the supply line can be connected to either end.

Safety

These safety measures are only related to a single electromagnetic pulse valve. If combined with other components of the device, there may be other potential hazards, it must perform a risk analysis of the system by putting these into account.

dangerous! To avoid the danger of burning, be careful not to touch the surface of the coil. its surface continuous working temperature up to 120 °C.

dangerous! For security reasons, it must be accurate to connect wires to the ground terminal for this purpose.

When connecting other components, please ensure that the power supply has been cut off.

without armature guide tube or AC solenoid wire , it will get burn.

Avoid prolonged immersion in the liquid used.

Shanghai AASF Technology Co., Ltd